

# Slope front ice storage bins

**Model 425-30** – 30" (762mm) wide, stores approximately 430 lbs (195kg)

**Model 650-44** – 44" (1118mm) wide, stores approximately 660 lbs (299kg)

**Model 950-48** – 48" (1220mm) wide, stores approximately 950 lbs (431kg)

**Model 1025-52** – 52" (1321mm) wide, stores approximately 1030 lbs (467kg)



Model 950-48 shown

Small to medium capacity ice storage bins for use with all major commercial icemakers. Widths from 30" to 52" (762 to 1321mm) and storage capacities from approximately 400 to 1000 lbs (181 to 454kg). All models standard with stainless steel top, front and sides. All bins include stainless tops custom cut for specific icemaker(s) to be used and 6" (153mm) adjustable legs.

## Wide range of models to meet varied needs

- Four models to meet a wide range of space and capacity requirements
- Space-saving 30" (762mm) wide 425-30 provides perfect match for compact icemakers
- Wider bins accommodate larger icemakers and side-by-side installation of smaller cubers and flakers

## Convenient, user-friendly design

- Extra large door openings provide maximum access for ice removal and bin cleaning
- Extra low door sills allow users to easily reach ice at the bottom of the bin
- 31.5" (801mm) depth ensures that all models fit through a 32" (813mm) door

## Quality construction features

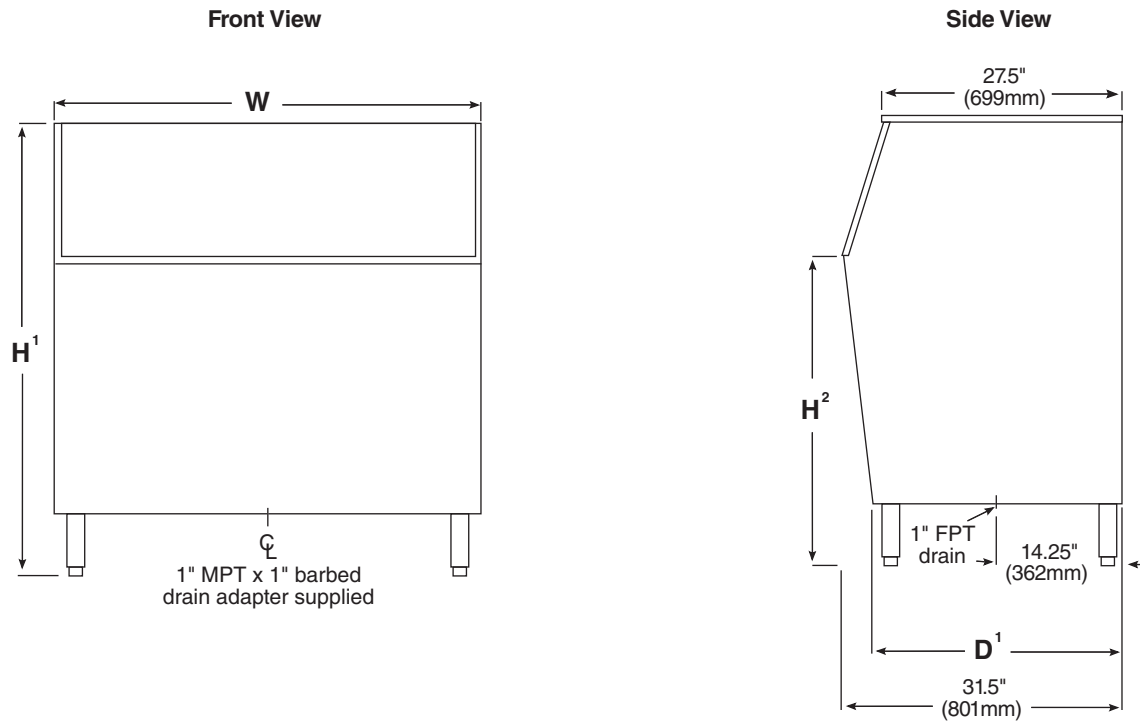
- Stainless steel exterior standard – top, front and sides
- Heavy-duty welded steel shell and frame support even heavy stacks of icemakers
- Non-CFC polyurethane foam insulation bonds shell and liner for additional rigidity and provides optimal insulation
- Stainless steel bin tops are custom cut for specific icemaker(s) to be used
- Rigid stainless steel lift doors with non-staining ABS interior panel are insulated with non-CFC foam polyurethane to withstand heavy use
- Durable, non-corroding polyethylene liners ensure long life
- Fully replaceable gasket seals door opening to reduce meltage

## Accessories

- SmartCART™ 75 ice cart (item# 00112771)
- Partition
- Stainless steel legs (item# ABSPECLEGS)
- Stainless steel back and bottom
- Drain pan assembly (required for Howe, Vogt, and Northstar icemakers)
- San Jamar Saf-T-Ice® Guardian scoop system (item# 00146365)

\* Saf-T-Ice is a registered trademark of San Jamar, a division of the Coleman Group, Inc. in the United States.

# Slope front ice storage bins



## General Notes

- Follett recommends installation of a floor drain with grate with all ice storage bins

Model Number	Cubic Volume cu ft (m)	Max. Bin Cap. lb (kg) <sup>1,2</sup>	Width in (mm)	Depth (D <sup>1</sup> ) in (mm)	Height (H <sup>1</sup> ) with Legs in (mm)	Door Sill Height (H <sup>2</sup> ) in (mm)	Required Door Access in (mm)	Approx. Ship Wt. lb (kg) <sup>5</sup>
425-30	13.8 (.39)	430 (195)	30 ( 762)	29.50 (750)	40 (1016)	26 (660)	32 (813)	144 (66)
650-44	20.8 (.59)	660 (299)	44 (1118)	29.50 (750)	40 (1016)	26 (660)	32 (813)	178 (81)
950-48*	30.1 (.85)	950 (431)	48 (1220)	28.25 (718)	50 (1270)	36 (915)	32 (813)	207 (94)
1025-52*	32.6 (.92)	1030 (467)	52 (1321)	28.25 (718)	50 (1270)	36 (915)	32 (813)	204 (93)

### \*Notes:

Add 1.625" (42mm) to depth and 10 lbs (4.5kg) to shipping weight when drain pan accessory is required.

SmartCART is a trademark of Follett Corporation.

Follett reserves the right to change specifications at any time without obligation. Certifications may vary depending on country of origin.