

Ice Pro™ automatic ice bagging and dispensing system

New!

DB650 Series



DB650SA

Ice storage bin with automatic agitation to store and dispense cube ice and Chewblet® ice into ice bags, carts, pails or Totes™ ice carrier. Exceptional labor-savings, sanitation and safety for foodservice operators. Up to 650 lb (295kg) storage capacity.

Increase profits on bagged ice

- Save 75% or more by bagging your own ice with Ice Pro versus buying pre-packaged ice

New, compact design

- Requires less than 3' (0.9m) of wall space
- Can be installed under 8' (2.4m) ceiling with most icemakers

Labor-saving ice dispensing

- Eliminates the need to shovel or scoop ice from bin
- Automatic agitation cycle prevents ice from forming bridges – two rotating agitator bars keep ice loose and free flowing
- Push-button actuation automatically dispenses ice

Dispenses cube ice up to 1" (26mm) square and Chewblet ice into most carts and containers

- Adjustable bag stand accommodates ice bag sizes up to 20 lbs (9kg)
- Standard dispense chute is compatible with carts 28" (712mm) high
- Dispenses ice into smaller containers such as Totes ice carrier or ice coolers

Easy to clean, easy to use

- Dispensing components are easily removed for cleaning
- Removable, lockable clear window prevents unauthorized access to ice
- Easy access from front and side for maintenance

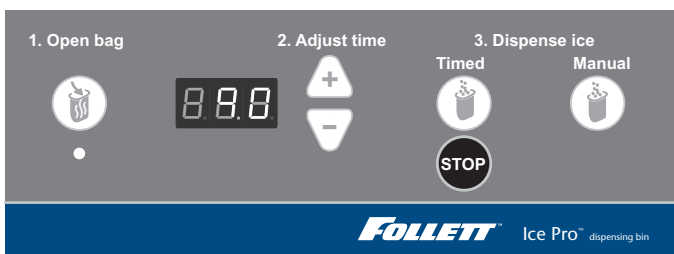
Semi-automatic bagging

- User-friendly controls with variable dispense time
- Blower opens bags automatically for high volume, hands-free dispensing
- Bag holder pins for use with wire-wicket ice bags; pins adjust for ice bags 5" to 10" (127 to 254mm) on center
- Dispense timer improves consistency of filling of ice bags
- 8 lbs (3.6kg) bags of packaged ice can be filled by one person at a rate of 6 per minute
- Includes 125 – 8 lb (3.6kg) ice bags and reorder information

Accessories

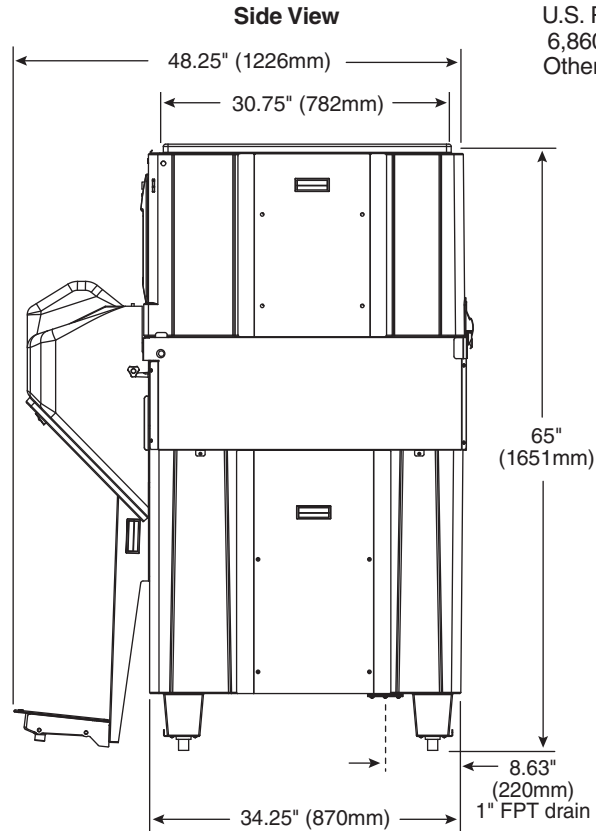
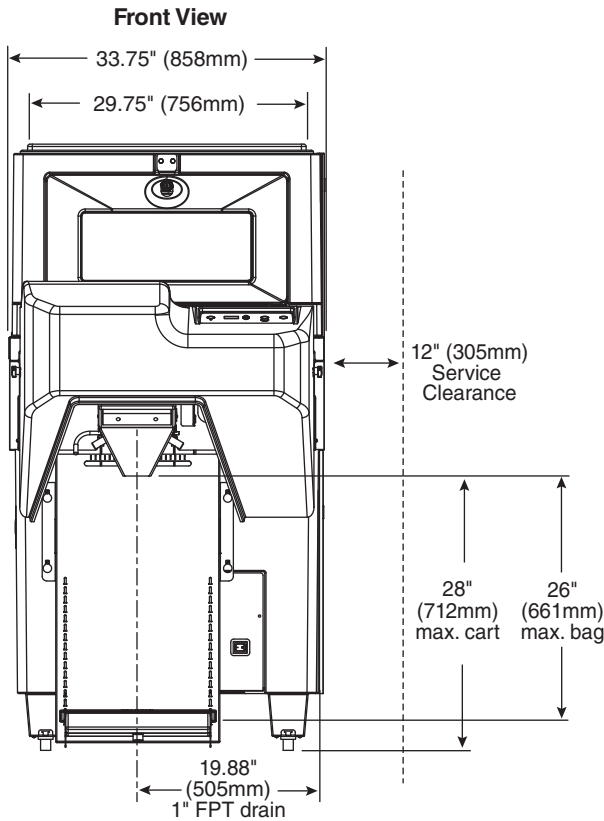
- 8 lb (3.6kg) ice bags (item# 00116434)
- 20 lb (9kg) ice bags (item# 00138370)
- Bostitch P-7 C-ring plier for closing bags (item# 00137711)
- Staples, aluminum blunt-end C-rings (item# 00137729)
- Foot pedal (item# 00115055)

User friendly Ice Pro control panel!



JOB: _____

ITEM: _____



U.S. Patent 6,685,053,
6,860,408 & 7,137,271
Other patents pending

General Notes

Follett recommends installation of a floor drain with grate.
For indoor use only.

Model Number	Cubic Volume cu ft (m)	Max. Bin Capacity lb (kg) ¹	Width in (mm)	Depth in (mm)	Height in (mm) ²	Required Door Access in (mm)	Approx. Ship Weight lb (kg)
DB650SA	20 (0.57)	650 (295)	33.75 (858)	48.25 (1226)	65 (1651)	34.25 (870)	450 (205)

Notes:

- ¹ Computed on cubic volume of bin. Does not reflect voids that can occur due to pyramiding.
- ² If icemaker is less than 30" (76mm) wide or is a Follett Horizon™ icemaker, solid top will increase height of the Ice Pro by 1.75" (44mm).

Electrical

220V, 60Hz, 1 ph, 2.5 full load amps
Required circuit – 220V, 60Hz, 1 ph, 15 amps
Wire in accordance with all local codes.

Plug Configuration

NEMA 6-15



Specifications: Automatic ice storage and dispensing system to be Follett (DB650SA) with elevated bin and base. Bin to hold up to 650 lbs (295kg) of ice. Dispense rate to be approximately 75 lbs (34kg)/min. Two position ice discharge chute with selector lever allows filling of bags or other containers. Lockable clear inspection window shall have interlock switch to prevent operation if window is removed. Hopper to be constructed of double wall rotationally molded polyethylene insulated with non-CFC polyurethane foam. Heavy-duty agitation system includes two stainless steel agitators and motors. Dispense auger to be rotationally molded plastic, driven by 1/4 HP motor. Activation of the dispensing function shall be controlled by push-button. Dispenser shall be equipped with holding pins for bags, time dispense, and blower function for automatically opening bags. Dispenser to be NSF, UL and cUL listed.

Horizon, Ice Pro and Totes are trademarks of Follett Corporation.
Chewblet is a registered trademark of Follett Corporation, registered in the US.
Follett reserves the right to change specifications at any time without obligation. Certifications may vary depending on country of origin.